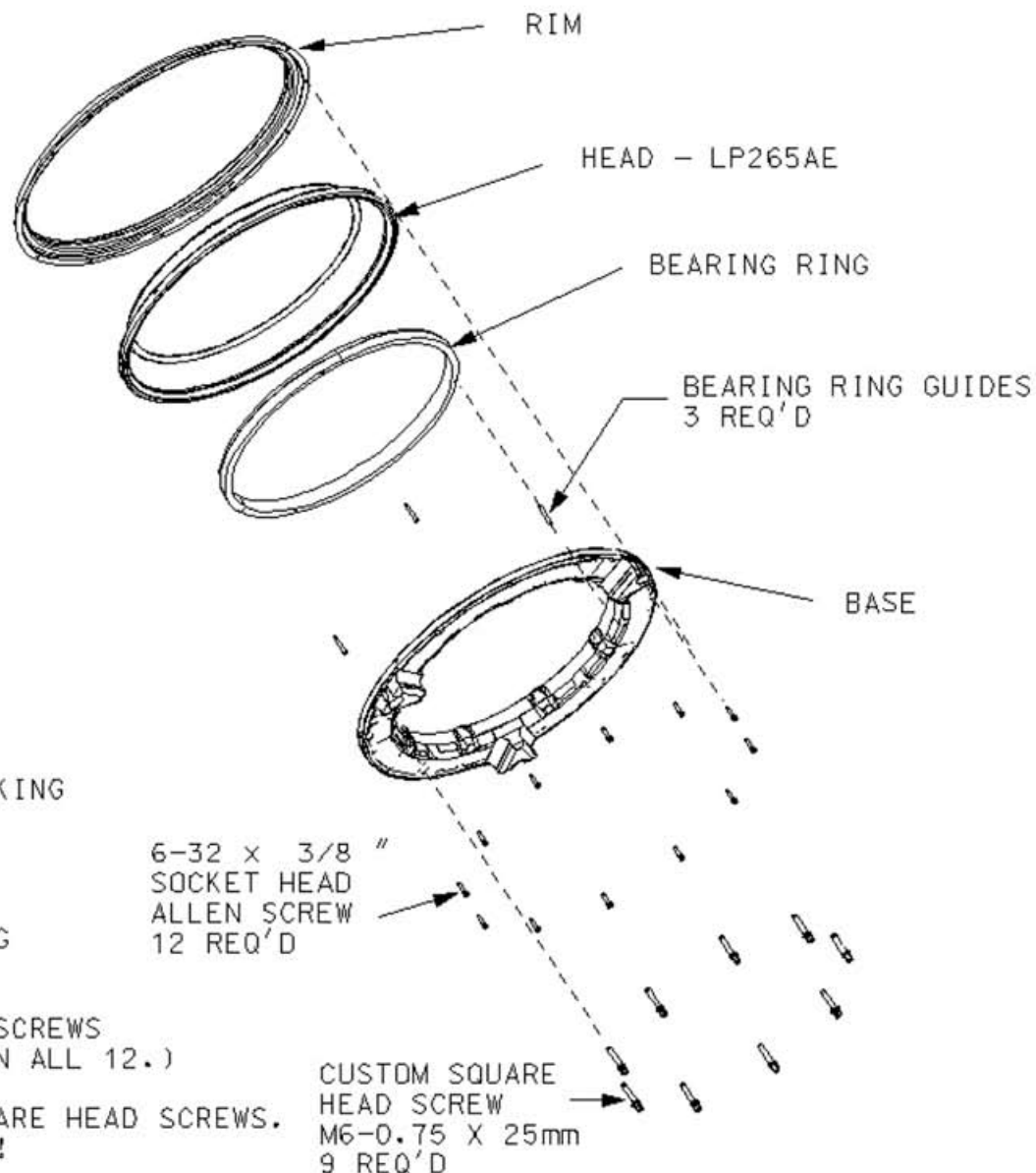
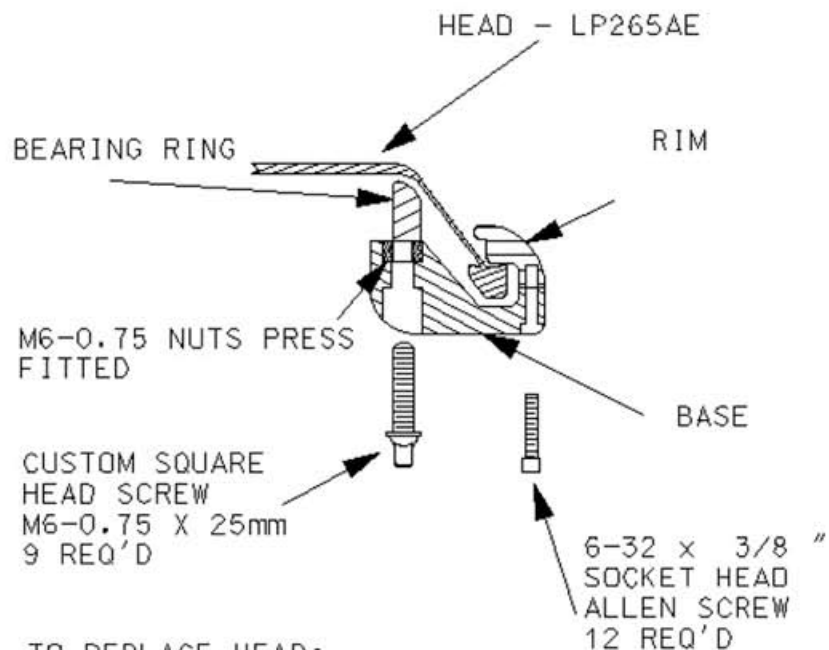




Giovanni Compact Conga - Replacement Head Instructions



TO REPLACE HEAD:

1. LOOSEN SQUARE HEAD SCREWS TO REMOVE ALL TENSION ON THE HEAD.
2. REMOVE ALL THE SOCKET HEAD CAP SCREWS TAKING CARE NOT TO LOOSE ANY.
3. REMOVE RIM
4. REPLACE HEAD (MAKE SURE THE BEARING RING IS STILL ON THE GUIDES.)
5. SCREW THE RIM BACK DOWN WITH ALL OF CAP SCREWS (START WITH OPPOSITE SCREWS AND THEN TIGHTEN ALL 12.)
6. EVENLY TENSIDN THE NEW HEAD WITH THE SQUARE HEAD SCREWS. DO NOT TIGHTEN BEYOND NORMAL TUNING RANGE!!!
7. RESUME DILIGENT PRACTICING